

2L Steam Pilot Operated Solenoid Valve-Normally Closed



Technical Specifications

Medium: Steam, Gas, Water
 Orifice: 17-38mm
 Temperature: -5~180°C
 Voltage: AC220V, AC110V, DC24V, DC12V
 Connection: G-Thread, NPT-Thread, Flange
 Mode of action: Pilot Operated
 Pressure: Normally Closed(N/C): 0.5~16bar
 Body material: Brass, Stainless Steel
 Sealing material: PTFE
 Protection class: IP54 IP65

Options

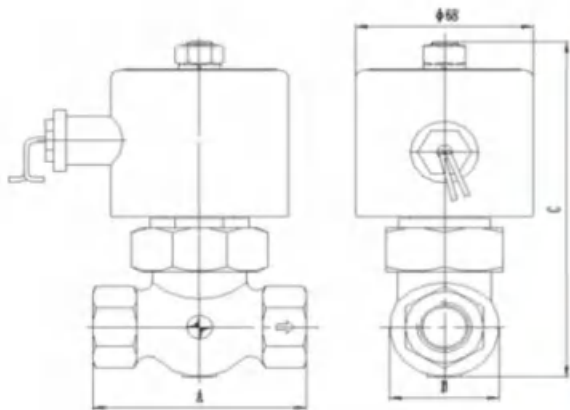
EPDM(E): suitable to water, hot water, gas, freon, the max. 110°C; In case you choose EPDM, please state "E" in your order.
 Viton(V): suitable to hot water, acid, alkali, chemical salt, oil and hydrocarbon; the MAX. 130°C. In case you choose Viton, please state "V" in your order.
 Metal cover coil (IP54) is standard.
 Thread: If different from G connection, it should be indicated.

Pilot operated solenoid valves 2/2way N/C

This solenoid valve uses the force of the fluid to operate the valve via a suitable integral pilot valve. The inlet pressure must always be at least the same as the minimum ΔP figure shown on the data sheets. Using the same coils as direct acting valves much higher fluid volumes and pressures can be controlled with this solenoid valve.



Overall Dimension Chart



Dimension Sheet(mm)

Part	A	B	C	Weight (kg)
2L170-10	80	39	142	1.45
2L170-15	80	39	142	1.42
2L200-20	82	40	144	1.3
2L200-25	92	48	153	1.7
2L300-35	105	65	170	2.2
2L300-40	110	71	180	2.7
2L400-50	118	82	195	3.7

Ordering Code

Valve Type	Orifice	Pipe Size	Voltage	Coils	Function Type	Body Material
2L	200	10	AC220V	D	H	J
	170=17mm	10: 3/8"	AC220V	Black:Common	Black:N/C	Black:Brass
	200=20mm	15: 1/2"	AC110V	A: Metallic Housing	H:N/O	J:Stainlee steel
	300=30mm	20: 3/4"	DC24V	D:DIN Plastic		
	400=38mm	25: 1"	DC12V			
		32: 1 1/4"				
		40: 1 1/2"				
		50: 2"				

Valve Selection List

Pipe Connection	Orifice (mm)	Cv	Working Pressure (kgf/cm ²)			Max. Temp. °C	Sealing Material	Coil Power		Normal Order
			Min	AC220V	DC24V			VA	W	
								AC220V	DC24V	
3/8"	17	4.8	0.5	16	16	180	PTFE	50	32	2L170-10
1/2 "	17	4.8	0.5	16	16	180	PTFE	50	32	2L170-15
3/4"	17	4.8	0.5	16	16	180	PTFE	50	32	2L200-20
1 "	20	11	0.5	16	16	180	PTFE	50	32	2L200-25
1 1/4"	30	25	0.5	16	16	180	PTFE	50	32	2L300-35
1 1/2 "	30	25	0.5	16	16	180	PTFE	50	32	2L300-40
2"	38	48	0.5	12	12	180	PTFE	50	32	2L400-50

Notes: If you want Stainless Steel body, the model for example 2L170-15J