

## 2W Large Diameter Brass Solenoid Valve-Normally Closed



### Technical Specifications

Medium: Air, Gas, Water, Liquid, Oil (below 20cts)  
 Orifice: 16-50mm  
 Temperature: -5~80°C  
 Voltage: AC220V, AC110V, DC24V, DC12V  
 Connection: G-Thread, NPT-Thread  
 Mode of action: Sime-direct acting  
 Pressure: Normally Closed(N/C): 10bar  
               Normally Open(N/O): 6bar  
 Body material: Brass, Stainless Steel  
 Sealing material: NBR, EPDM, VITON  
 Protection class: IP65 IP54



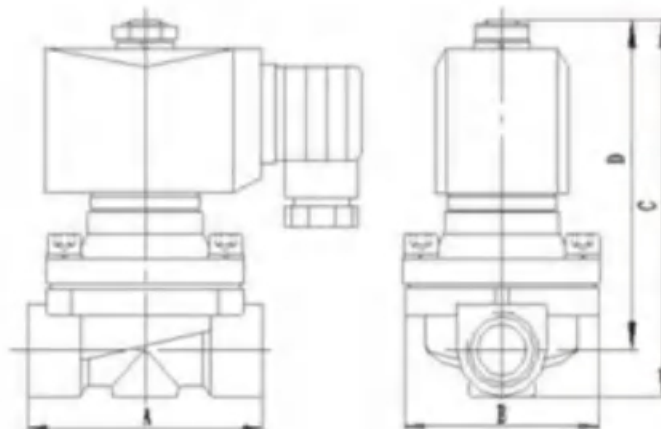
### Options

EPDM(E): suitable to water, hot water, gas, freon, the max. 110°C;  
 In case you choose EPDM, please state "E" in your order.  
 Viton(V): suitable to hot water, acid, alkali, chemical salt, oil and hydrocarbon; the MAX. 130°C. In case you choose Viton, please state "V" in your order.  
 Metal coverd coil(IP54) is standard.  
 Thread: If different from G connection, it should be indicated.

### Dimension Sheet(mm)

Part	A	B	C	D	Weight (kg)
2W160-10	63	56	106	95	0.62
2W160-15	63	56	106	95	0.6
2W200-20	66	56	110	97	0.65
2W250-25	90	72	118	99	0.88
2W350-35	109	88	155	140	1.8
2W400-40	115	95	162	142	2.1
2W500-50	155	111	195	160	2.9
2W650-65	180	120	215	165	4.3
2W800-80	186	120	220	170	5.5

### Overall Dimension Chart



### Ordering Code

Valve Type	Orifice	Pipe Size	Connection	Voltage	Coils	Function Type	Sealing	Body Material
2W	160	10	N	AC220V	D	H	V	J
	160=16mm	10: 3/8"	Black:G-Thread	AC220V	Black:Common	Black:N/C	Blank:NBR	Black:Brass
	200=20mm	15: 1/2"	N:NPT Thread	AC110V	A: Metallic Housing	H:N/O	E:EPDM	J:Stainlee steel
	250=25mm	20: 3/4"		DC24V	D:DIN Plastic		V:VITON	
	350=35mm	25: 1"		DC12V				
	400=40mm	35: 1 1/4"						
	500=50mm	40: 1 1/2"						
		50: 2"						

### Valve Selection List

Pipe Connection	Orifice (mm)	Cv	Working Pressure (kgf/cm <sup>2</sup> )						Max. Temp. °C	Sealing Material	Coil Power		Normal Order Code	
			Min	Air, Gas		Water, Liqui		Light Oil			VA	W		
				AC	DC	AC	DC							AC
3/8"	16	4.8	0	10	6	10	6	10	6	80	NBR	20	20	2W160-10
				10	6	10	6	10	6	130	EPDM			2W160-10-E
				10	6	10	6	10	6	120	VITON			2W160-10-V
1/2"	16	4.8	0	10	6	10	6	10	6	80	NBR	20	20	2W160-15
				10	6	10	6	10	6	130	EPDM			2W160-15-E
				10	6	10	6	10	6	120	VITON			2W160-15-V
3/4"	20	7.6	0	10	6	10	6	10	6	80	NBR	20	20	2W200-20
				10	6	10	6	10	6	130	EPDM			2W200-20-E
				10	6	10	6	10	6	120	VITON			2W200-20-V
1"	25	12	0	10	6	10	6	10	6	80	NBR	20	32	2W250-25
				10	6	10	6	10	6	130	EPDM			2W250-25-E
				10	6	10	6	10	6	120	VITON			2W250-25-V
1-1/4"	35	24	0	10	6	10	6	10	6	80	NBR	30	38	2W350-35
				10	6	10	6	10	6	130	EPDM			2W350-35-E
				10	6	10	6	10	6	120	VITON			2W350-35-V
1-1/2"	40	29	0	10	6	10	6	10	6	80	NBR	30	38	2W400-40
				10	6	10	6	10	6	130	EPDM			2W400-40-E
				10	6	10	6	10	6	120	VITON			2W400-40-V
2"	50	48	0	10	6	10	6	10	6	80	NBR	30	38	2W500-50
				10	6	10	6	10	6	130	EPDM			2W500-50-E
				10	6	10	6	10	6	120	VITON			2W500-50-V
2-1/2"	65	58	0	10	6	10	6	10	6	80	NBR	30	38	2W650-65
				10	6	10	6	10	6	130	EPDM			2W650-65-E
				10	6	10	6	10	6	120	VITON			2W650-65-V
3"	80	65	0	10	6	10	6	10	6	80	NBR	30	38	2W800-80
				10	6	10	6	10	6	130	EPDM			2W800-80-E
				10	6	10	6	10	6	120	VITON			2W800-80-V



## 2W Large Diameter Brass Solenoid Valve-Normally Open



### Technical Specifications

Medium: Air, Gas, Water, Liquid, Oil (below 20cts)  
 Orifice: 16-50mm  
 Temperature: -5~80°C  
 Voltage: AC220V, AC110V, DC24V, DC12V  
 Connection: G-Thread, NPT-Thread  
 Mode of action: Sime-direct acting  
 Pressure: Normally Closed(N/C): 10bar  
               Normally Open(N/O): 6bar  
 Body material: Brass, Stainless Steel  
 Sealing material: NBR, EPDM, VITON  
 Protection class: IP65 IP54



### Options

EPDM(E): suitable to water, hot water, gas, freon, the max. 110°C;  
 In case you choose EPDM, please state "E" in your order.  
 Viton(V): suitable to hot water, acid, alkali, chemical salt, oil and hydrocarbon; the MAX. 130°C. In case you choose Viton, please state "V" in your order.  
 Metal coverd coil(IP54) is standard.  
 Thread: If different from G connection, it should be indicated.

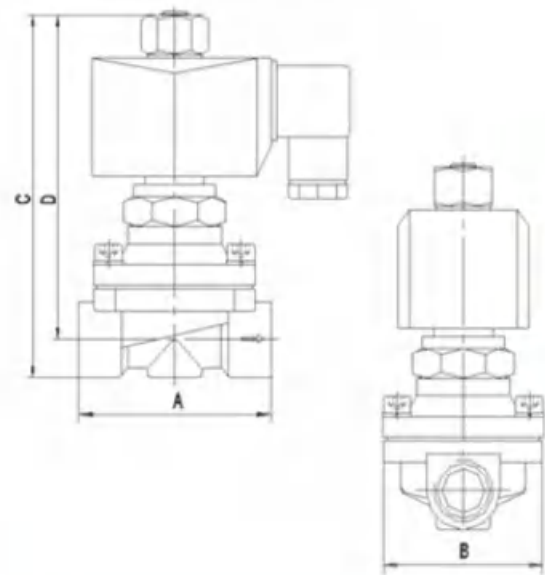
### Ordering Code

Valve Type	Orifice	Pipe Size	Connection	Voltage	Coils	Function Type	Sealing	Body Material
2W	160	10	N	AC220V	D	H	V	J
	160=16mm	10: 3/8"	Black:G-Thread	AC220V	Black:Common	Black:N/C	Blank:NBR	Black:Brass
	200=20mm	15: 1/2"	N:NPT Thread	AC110V	A: Metallic Housing	H:N/O	E:EPDM	J:Stainlee steel
	250=25mm	20: 3/4"		DC24V	D:DIN Plastic		V:VITON	
	320=32mm	25: 1"		DC12V				
	400=40mm	32: 1 1/4"						
	500=50mm	40: 1 1/2"						
		50: 2"						

### Valve Selection List

Pipe Connection	Orifice (mm)	Cv	Working Pressure (kgf/cm <sup>2</sup> )						Max. Temp. °C	Sealing Material	Coil Power		Normal Order Code			
			Min	Air, Gas		Water, Liqui		Light Oil			VA	W				
				AC	DC	AC	DC							AC	DC	
3/8"	16	4.8	0	6	6	6	6	6	6	80	NBR	20	20	2W160-10-H		
				6	6	6	6							130	EPDM	2W160-10-H-E
				6	6	6	6	6	6					120	VITON	2W160-10-H-V
1/2"	16	4.8	0	6	6	6	6	6	6	80	NBR	20	20	2W160-15-H		
				6	6	6	6							130	EPDM	2W160-15-H-E
				6	6	6	6	6	6					120	VITON	2W160-15-H-V
3/4"	20	7.6	0	6	6	6	6	6	6	80	NBR	20	20	2W200-20-H		
				6	6	6	6							130	EPDM	2W200-20-H-E
				6	6	6	6	6	6					120	VITON	2W200-20-H-V
1"	25	12	0	6	6	6	6	6	6	80	NBR	20	32	2W250-25-H		
				6	6	6	6							130	EPDM	2W250-25-H-E
				6	6	6	6	6	6					120	VITON	2W250-25-H-V
1-1/4"	32	22	0	6	6	6	6	6	6	80	NBR	30	38	2W320-32-H		
				6	6	6	6							130	EPDM	2W320-32-H-E
				6	6	6	6	6	6					120	VITON	2W320-32-H-V
1-1/2"	40	29	0	6	6	6	6	6	6	80	NBR	30	38	2W400-40-H		
				6	6	6	6							130	EPDM	2W400-40-H-E
				6	6	6	6	6	6					120	VITON	2W400-40-H-V
2"	50	48	0	6	6	6	6	6	6	80	NBR	30	38	2W500-50-H		
				6	6	6	6							130	EPDM	2W500-50-H-E
				6	6	6	6	6	6					120	VITON	2W500-50-H-V

### Overall Dimension Chart



### Dimension Sheet (mm)

Part	A	B	C	D	Weight (kg)
2W160-10H	63	56	117	102	0.7
2W160-15H	63	56	117	102	0.69
2W200-20H	66	56	122	109	0.7
2W250-25H	85	72	130	112	0.95
2W320-32H	109	18	140	120	1.2
2W400-40H	107	88	155	135	1.5
2W500-50H	135	93	170	140	2



## 2W Large Diameter Stainless Steel Solenoid Valve-Normally Closed



### Technical Specifications

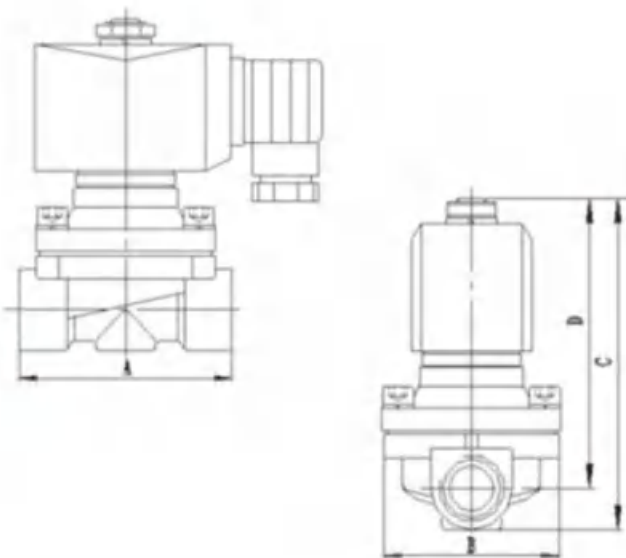
Medium: Air, Gas, Water, Liquid, Oil (below 20cts)  
 Orifice: 16-50mm  
 Temperature: -5~80°C  
 Voltage: AC220V, AC110V, DC24V, DC12V  
 Connection: G-Thread, NPT-Thread  
 Mode of action: Sime-direct acting  
 Pressure: Normally Closed(N/C): 10bar  
               Normally Open(N/O): 6bar  
 Body material: Brass, Stainless Steel  
 Sealing material: NBR, EPDM, VITON  
 Protection class: IP65 IP54

### Options

EPDM(E): suitable to water, hot water, gas, freon, the max. 110°C;  
 In case you choose EPDM, please state "E" in your order.  
 Viton(V): suitable to hot water, acid, alkali, chemical salt, oil and hydrocarbon; the MAX. 130°C. In case you choose Viton, please state "V" in your order.  
 Metal cover coil (IP54) is standard.  
 Thread: If different from G connection, it should be indicated.



### Overall Dimension Chart



### Dimension Sheet (mm)

Part	A	B	C	D	Weight (kg)
2W160-10J	69	52	112	100	0.8
2W160-15J	69	52	112	100	0.75
2W200-20J	73	57	117	102	0.85
2W250-25J	98	77	122	105	1.2
2W350-35J	111	86	155	130	2
2W400-40J	120	94	165	135	2.2
2W500-50J	163	112	190	160	3.8

### Ordering Code

Valve Type	Orifice	Pipe Size	Connection	Voltage	Coils	Function Type	Sealing	Body Material
2W	160	10	N	AC220V	D	H	V	J
	160=16mm	10: 3/8"	Black:G-Thread	AC220V	Black:Common	Black:N/C	Blank:NBR	Black:Brass
	200=20mm	15: 1/2"	N:NPT Thread	AC110V	A: Metallic Housing	H:N/O	E:EPDM	J:Stainlee steel
	250=25mm	20: 3/4"		DC24V	D:DIN Plastic		V:VITON	
	350=35mm	25: 1"		DC12V				
	400=40mm	32: 1 1/4"						
	500=50mm	40: 1 1/2"						
		50: 2"						

### Valve Selection List

Pipe Connection	Orifice (mm)	Cv	Working Pressure (kgf/cm <sup>2</sup> )						Max. Temp. °C	Sealing Material	Coil Power		Normal Order Code	
			Min	Air, Gas		Water, Liqui		Light Oil			VA	W		
				AC	DC	AC	DC							AC
3/8"	16	4.8	0	10	6	10	6	10	6	80	NBR	20	20	2W160-10-J
				10	6	10	6			130	EPDM			2W160-10-E-J
				10	6	10	6	10	6	120	VITON			2W160-10-V-J
1/2"	16	4.8	0	10	6	10	6	10	6	80	NBR	20	20	2W160-15-J
				10	6	10	6			130	EPDM			2W160-15-E-J
				10	6	10	6	10	6	120	VITON			2W160-15-V-J
3/4"	20	7.6	0	10	6	10	6	10	6	80	NBR	20	20	2W200-20-J
				10	6	10	6			130	EPDM			2W200-20-E-J
				10	6	10	6	10	6	120	VITON			2W200-20-V-J
1"	25	12	0	10	6	10	6	10	6	80	NBR	20	32	2W250-25-J
				10	6	10	6			130	EPDM			2W250-25-E-J
				10	6	10	6	10	6	120	VITON			2W250-25-V-J
1-1/4"	35	24	0	10	6	10	6	10	6	80	NBR	30	38	2W350-35-J
				10	6	10	6			130	EPDM			2W350-35-E-J
				10	6	10	6	10	6	120	VITON			2W350-35-V-J
1-1/2"	40	29	0	10	6	10	6	10	6	80	NBR	30	38	2W400-40-J
				10	6	10	6			130	EPDM			2W400-40-E-J
				10	6	10	6	10	6	120	VITON			2W400-40-V-J
2"	50	48	0	10	6	10	6	10	6	80	NBR	30	38	2W500-50-J
				10	6	10	6			130	EPDM			2W500-50-E-J
				10	6	10	6	10	6	120	VITON			2W500-50-V-J



## 2W Large Diameter Stainless Steel Solenoid Valve-Normally Open



### Technical Specifications

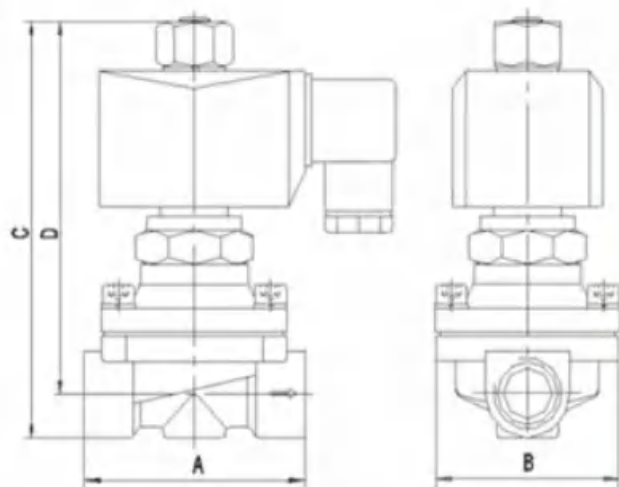
Medium: Air, Gas, Water, Liquid, Oil (below 20cts)  
 Orifice: 16-50mm  
 Temperature: -5~80°C  
 Voltage: AC220V, AC110V, DC24V, DC12V  
 Connection: G-Thread, NPT-Thread  
 Mode of action: Sime-direct acting  
 Pressure: Normally Closed(N/C): 10bar  
               Normally Open(N/O): 6bar  
 Body material: Brass, Stainless Steel  
 Sealing material: NBR, EPDM, VITON  
 Protection class: IP65 IP54

### Options

EPDM(E): suitable to water, hot water, gas, freon, the max. 110°C;  
 In case you choose EPDM, please state "E" in your order.  
 Viton(V): suitable to hot water, acid, alkali, chemical salt, oil and hydrocarbon; the MAX. 130°C. In case you choose Viton, please state "V" in your order.  
 Metal coverd coil(IP54) is standard.  
 Thread: If different from G connection, it should be indicated.



### Overall Dimension Chart



### Dimension Sheet(mm)

Part	A	B	C	D	Weight (kg)
2W160-10HJ	69	52	120	107	0.88
2W160-15HJ	69	52	120	107	0.83
2W200-20HJ	73	57	126	110	0.95
2W250-25HJ	98	77	133	113	1.3
2W350-35HJ	111	86	150	126	2.2
2W400-40HJ	120	94	155	127	2.5
2W500-50HJ	163	112	200	167	4

### Ordering Code

Valve Type	Orifice	Pipe Size	Connection	Voltage	Coils	Function Type	Sealing	Body Material
2W	250	25	N	AC220V	D	H	V	J
	160=16mm	10: 3/8"	Black:G-Thread	AC220V	Black:Common	Black:N/C	Blank:NBR	Black:Brass
	200=20mm	15: 1/2"	N:NPT Thread	AC110V	A: Metallic Housing	H:N/O	E:EPDM	J:Stainlee steel
	250=25mm	20: 3/4"		DC24V	D:DIN Plastic		V:VITON	
	350=35mm	25: 1"		DC12V				
	400=40mm	35: 1 1/4"						
	500=50mm	40: 1 1/2"						
		50: 2"						

### Valve Selection List

Pipe Connection	Orifice (mm)	Cv	Working Pressure(kgf/cm <sup>2</sup> )						Max. Temp.°C	Sealing Material	Coil Power		Normal Order Code	
			Min	Air, Gas		Water, Liqui		Light Oil			VA	W		
				AC	DC	AC	DC							AC
3/8"	16	4.8	0	10	6	10	6	10	6	80	NBR	20	20	2W160-10-H-J
				10	6	10	6			130	EPDM			2W160-10-H-E-J
				10	6	10	6	10	6	120	VITON			2W160-10-H-V-J
1/2"	16	4.8	0	10	6	10	6	10	6	80	NBR	20	20	2W160-15-H-J
				10	6	10	6			130	EPDM			2W160-15-H-E-J
				10	6	10	6	10	6	120	VITON			2W160-15-H-V-J
3/4"	20	7.6	0	10	6	10	6	10	6	80	NBR	20	20	2W200-20-H-J
				10	6	10	6			130	EPDM			2W200-20-H-E-J
				10	6	10	6	10	6	120	VITON			2W200-20-H-V-J
1"	25	12	0	10	6	10	6	10	6	80	NBR	20	32	2W250-25-H-J
				10	6	10	6			130	EPDM			2W250-25-H-E-J
				10	6	10	6	10	6	120	VITON			2W250-25-H-V-J
1-1/4"	35	24	0	10	6	10	6	10	6	80	NBR	30	38	2W350-35-H-J
				10	6	10	6			130	EPDM			2W350-35-H-E-J
				10	6	10	6	10	6	120	VITON			2W350-35-H-V-J
1-1/2"	40	29	0	10	6	10	6	10	6	80	NBR	30	38	2W400-40-H-J
				10	6	10	6			130	EPDM			2W400-40-H-E-J
				10	6	10	6	10	6	120	VITON			2W400-40-H-V-J
2"	50	48	0	10	6	10	6	10	6	80	NBR	30	38	2W500-50-H-J
				10	6	10	6			130	EPDM			2W500-50-H-E-J
				10	6	10	6	10	6	120	VITON			2W500-50-H-V-J



## ZW Large Diameter Brass Solenoid Valve-Normally Closed

### Technical Specifications

Medium: Air, Gas, Water, Liquid, Oil (below 20cts)  
 Orifice: 16-50mm  
 Temperature: -5~80°C  
 Voltage: AC220V, AC110V, DC24V, DC12V  
 Connection: G-Thread, NPT-Thread  
 Mode of action: Sime-direct acting  
 Pressure: Normally Closed(N/C): 10bar  
               Normally Open(N/O): 6bar  
 Body material: Brass, Stainless Steel  
 Sealing material: NBR, EPDM, VITON  
 Protection class: IP65 IP54

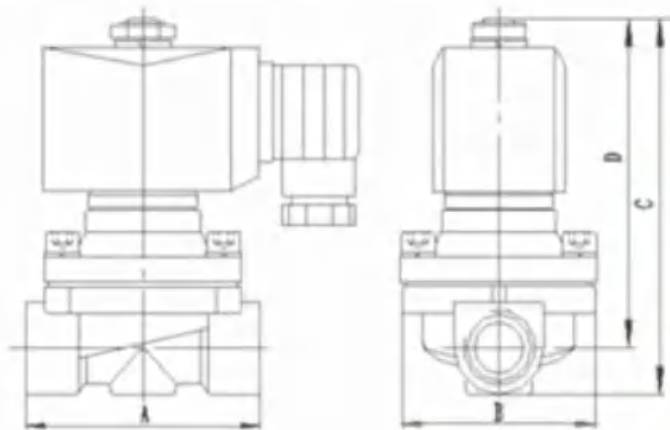


### Options

EPDM(E): suitable to water, hot water, gas, freon, the max. 110°C;  
 In case you choose EPDM, please state "E" in your order.  
 Viton(V): suitable to hot water, acid, alkali, chemical salt, oil and hydrocarbon; the MAX. 130°C. In case you choose Viton, please state "V" in your order.  
 Metal coverd coil(IP54) is standard.  
 Thread: If different from G connection, it should be indicated.



### Overall Dimension Chart



### Dimension Sheet(mm)

Part	A	B	C	D	Weight (kg)
ZW160-15	67	56	110	96	0.78
ZW200-20	70	56	117	100	0.86
ZW250-25	98	75	127	106	1.4
ZW350-35	111	84	162	137	2.3
ZW400-40	120	89	168	140	2.5
ZW500-50	150	108	190	156	3.7

### Ordering Code

Valve Type	Orifice	Pipe Size	Connection	Voltage	Coils	Function Type	Sealing	Body Material
ZW	160	15	N	AC220V	D	H	V	J
	160=16mm	15: 1/2"	Black:G-Thread	AC220V	Black:Common	Black:N/C	Blank:NBR	Black:Brass
	200=20mm	20: 3/4"	N:NPT Thread	AC110V	A:Metallic Housing	H:N/O	E:EPDM	J:Stainlee steel
	250=25mm	25: 1"		DC24V	D:DIN Plastic		V:VITON	
	350=35mm	32: 1 1/4"		DC12V				
	400=40mm	40: 1 1/2"						
	500=50mm	50: 2"						

### Valve Selection List

Pipe Connection	Orifice (mm)	Cv	Working Pressure (kgf/cm <sup>2</sup> )						Max. Temp. °C	Sealing Material	Coil Power		Normal Order Code	
			Min	Air, Gas		Water, Liqui		Light Oil			VA	W		
				AC	DC	AC	DC							AC
3/8"	16	4.8	0	10	6	10	6	10	6	80	20	20	ZW160-10	
				10	6	10	6	10	6	130			EPDM	ZW160-10-E
				10	6	10	6	10	6	120			VITON	ZW160-10-V
1/2"	16	4.8	0	10	6	10	6	10	6	80	20	20	ZW160-15	
				10	6	10	6	10	6	130			EPDM	ZW160-15-E
				10	6	10	6	10	6	120			VITON	ZW160-15-V
3/4"	20	7.6	0	10	6	10	6	10	6	80	20	20	ZW200-20	
				10	6	10	6	10	6	130			EPDM	ZW200-20-E
				10	6	10	6	10	6	120			VITON	ZW200-20-V
1"	25	12	0	10	6	10	6	10	6	80	20	32	ZW250-25	
				10	6	10	6	10	6	130			EPDM	ZW250-25-E
				10	6	10	6	10	6	120			VITON	ZW250-25-V
1-1/4"	35	24	0	10	6	10	6	10	6	80	30	38	ZW350-35	
				10	6	10	6	10	6	130			EPDM	ZW350-35-E
				10	6	10	6	10	6	120			VITON	ZW350-35-V
1-1/2"	40	29	0	10	6	10	6	10	6	80	30	38	ZW400-40	
				10	6	10	6	10	6	130			EPDM	ZW400-40-E
				10	6	10	6	10	6	120			VITON	ZW400-40-V
2"	50	48	0	10	6	10	6	10	6	80	30	38	ZW500-50	
				10	6	10	6	10	6	130			EPDM	ZW500-50-E
				10	6	10	6	10	6	120			VITON	ZW500-50-V